

Buffers

Retaining washer Stainless Steel

SPECIFICATION

Rubber

NBR (Perbunan®)

- black
- vulcanized to the retaining washer
- temperature resistant up 120 °C
- Hardness Shore A ±5

soft* **40**

medium **55**

hard* **70**

* not available from stock and requires a minimum order quantity.

Retaining washer
Stainless Steel A2



INFORMATION

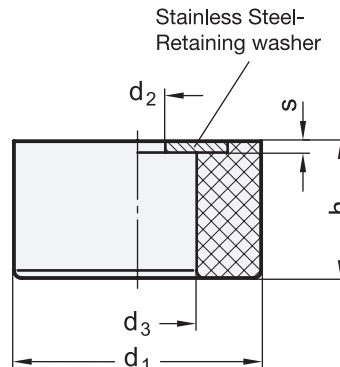
Buffers GN 454 are used as end-stop buffers, e.g. conveyor trolleys. They can be fixed on the damping side with socket head cap screws DIN 912.

They absorb most of the kinetic energy development on impact. They act as dampers and prevent damaging shock and rebound. They also act as sound dampers.

These buffers are also used as levelling feet.

TECHNICAL INFORMATION

- Elastomer characteristics (see page A32)



GN 454

STAINLESS STEEL

Description	d1	h	d2	d3	s	Spring rate ≈ in N/mm (Hardness 55)	max. load in N (Hardness 55)	Max. travel ≈ in mm	⚖
GN 454-16-8-4,3-55	16	8	4.3	8	1	140	280	2	2
GN 454-20-10-5,3-55	20	10	5.3	9.5	1.2	148	370	2.5	4
GN 454-25-12-6,4-55	25	12	6.4	12.2	1.6	210	630	3	7
GN 454-35-16-8,4-55	35	16	8.4	14	2	345	1380	4	20
GN 454-42-20-10,5-55	42	20	10.5	17.5	2.5	360	1800	5	35
GN 454-56-24-13-55	56	24	13	19.5	3	577	3460	6	76